



The base is fully universal, this means that it is usable for all types of free-standing racks (old and new). Construction of the base is formed from two sides profiles which are similar to the depth of the rack and two cover panels (front and back) with corresponding width.

We newly present the new base with high loading capacity of 800 kilos. The appearance does not differ from the original base, the only difference is in the loading capacity.

The base is offered in a set which contains:

- 2 x side base profile with cable entry (with „breakout“ style blanking panel)
- 2 x front/back cable entry cover panel (with „breakout“ style blanking panel)
- 1 x front/back cover panel with filter
- 1 x brush, jointing material

The base is supplied in flat pack form and customer can assemble it directly onto the rack. A second cover panel with filter is available to order as a replacement for the second cover panel.

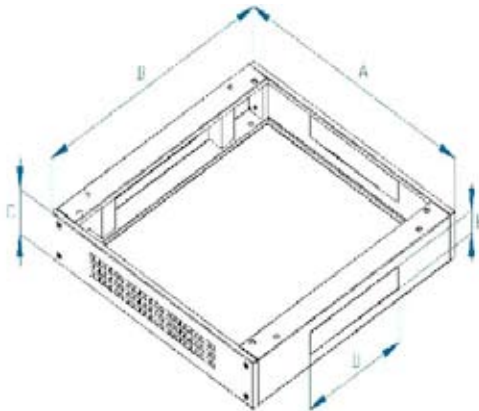
The base always exactly copies the ground plan of the rack regardless of installation of filter cover panel. The base will be as a standard supplied in width 600 and 800 mm and depth 600, 800, 900 and 1000 mm.

The high of all bases is 120mm.

Bases

Type	A [mm]	B [mm]	C [mm]	D [mm]	E [mm]	Max. recommended loading capacity (kg)
RAC-PO-X66-XN	600	600	120	350	60	400
RAC-PO-X68-XN	600	800	120	350	60	400
RAC-PO-X69-XN	600	900	120	350	60	400
RAC-PO-X61-XN	600	1000	120	350	60	400
RAC-PO-X86-XN	800	600	120	350	60	400
RAC-PO-X88-XN	800	800	120	350	60	400
RAC-PO-X89-XN	800	900	120	350	60	400
RAC-PO-X81-XN	800	1000	120	350	60	400

Type	A [mm]	B [mm]	C [mm]	D [mm]	E [mm]	Max. recommended loading capacity (kg)
RAC-PO-X68-XQ	600	800	120	350	60	800
RAC-PO-X61-XQ	600	1000	120	350	60	800
RAC-PO-X88-XQ	800	800	120	350	60	800
RAC-PO-X81-XQ	800	1000	120	350	60	800



TRITON

Triton Pardubice, spol. s r. o.
 Starý Mateřov 130, 530 02 Pardubice
 tel: +420 467 401 111, fax: +420 467 401 130
 obchod@triton.cz, www.triton.cz

Triton Chemnitz GmbH
 Wolgograder Alee 24, 09123 Chemnitz - Germany
 Tel: +49 371 520 2271, Fax: +49 371 520 2272
 info@triton-racks.de, www.triton-racks.de