

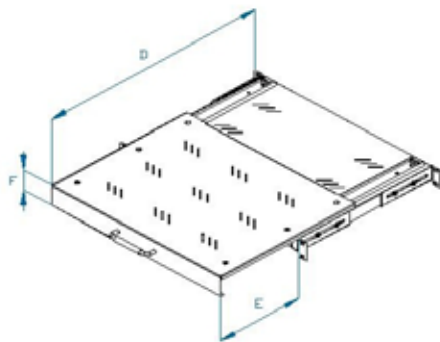
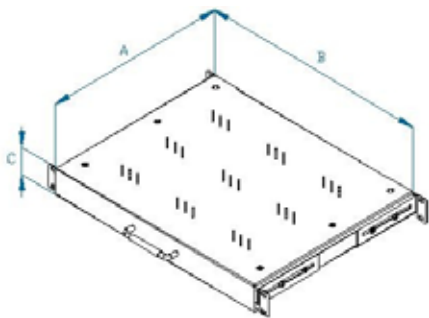


Sliding shelves are used for the installation of equipment which is necessary to pull out during the operation out of the 19" vertical rails (keyboards for example). Thanks to its gripping of bottom part and unique placing of slide-out components it is possible to put inside the devices up to 440mm of width (which is full 19"). Perforated body of the shelf provides the air circulation necessary for cooling of installed active devices. Massive holders and added mounting material provide reliable gripping inside the cabinet.



Shelves

Type	A (mm)	B (mm)	C (mm)	D (mm)	E (mm)	F (mm)	Max. recommended loading capacity (kg)
RAC-UP-350-S4	355	440	60	615	260	50	20.0
RAC-UP-450-S4	455	440	60	715	260	50	20.0
RAC-UP-550-S43	555	440	60	815	260	50	20.0



TRITON

Triton Pardubice, spol. s r. o.
Starý Mateřov 130, 530 02 Pardubice
tel: +420 467 401 111, fax: +420 467 401 130
obchod@triton.cz, www.triton.cz

Triton Chemnitz GmbH
Wolgograder Alee 24, 09123 Chemnitz - Germany
Tel: +49 371 520 2271, Fax: +49 371 520 2272
info@triton-racks.de, www.triton-racks.de