

BRUVA



DELTA U



Perforation ensures natural cooling of installed equipment. The cooling can be if necessary forced by 19" fan units – see Accessories on www.triton.cz.

The 19" vertical rails can be freely adjusted within depth of the cabinet. It makes patch cords organization easy and effective. The cabinet includes an earthing system.

Used hinges allow door opening at almost 180°. Doors can be easily mounted in the left or right opening position.



RUA

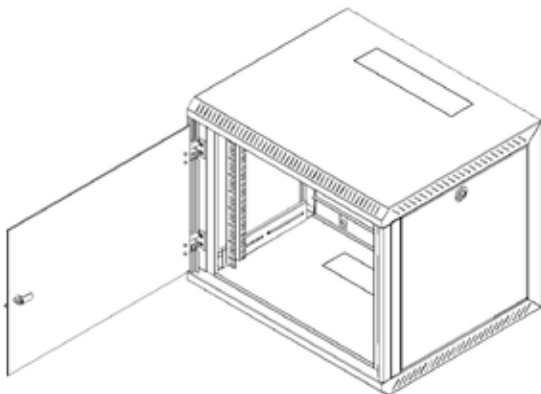
The Delta U is new member of single-sectioned wall-mounted cabinets. We supply these cabinets in depths 400 and 500 millimeters. The sizes of cabinets do not differ from appropriate models of Delta 4S and 5S. Due to fully welded construction we kept the maximal permissible load capacity of 30 kilos. Main advantage of Delta U is removable side panels, which enable access to installed components from the back side of the cabinet. The glass or fully metal door is possible to open in a range of almost 180°. In case of necessity it is also possible

to easily remove the door or change direction of opening from the left side to the right. Cable entries are located at the top and bottom of the cabinet. Another two cable entries are located at the back panel. All entries are blanked with a „break-out“ style blanking panels.

One pair of 19“ vertical rails is located inside and it can be adjusted infinitely back and forth in the depth of the cabinet. All parts of the cabinet are mutually connected with earthing system.



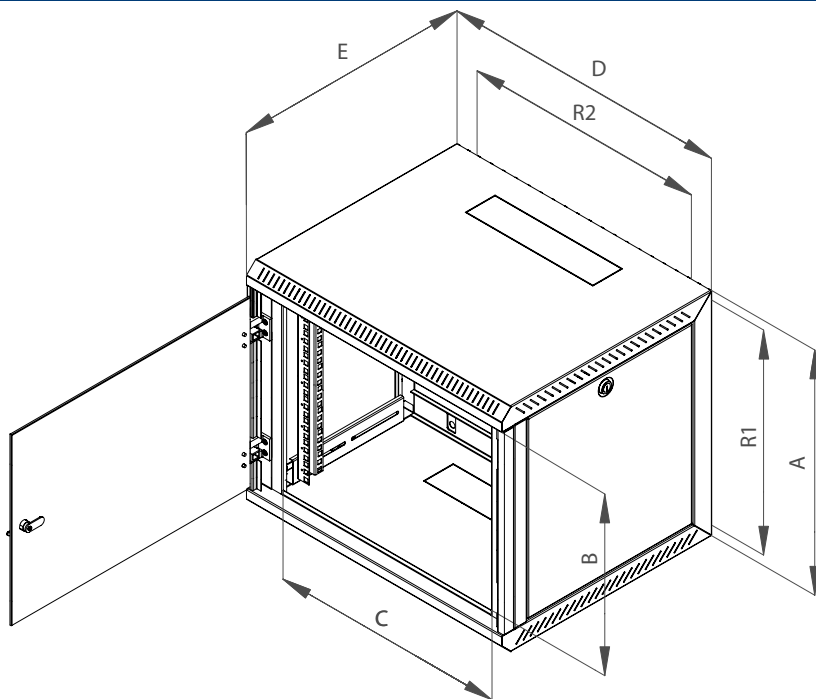
Cable entries are prepared in the top and bottom of the cabinet, two of them are also located at the back side of the cabinet. Each cable entry is blanked with a "break-out" style blanking panel that can be easily broken out by a simple tool like a screwdriver.



DELTA U

TYPE	A (mm)	B (mm)	C (mm)	D (mm)	E (mm)	R1 (mm)	R2 (mm)	Weight gross (kg)	Weight net (kg)	Max. permissible load (kg)
RUA-06-AS4-CAX-A1	370	265	490	600	395	324	420	15.40	15.40	30.0
RUA-09-AS4-CAX-A1	500	395	490	600	395	454	420	18.50	18.50	30.0
RUA-12-AS4-CAX-A1	635	530	490	600	395	589	420	21.70	21.30	30.0
RUA-15-AS4-CAX-A1	770	665	490	600	395	724	420	24.10	23.80	30.0
RUA-18-AS4-CAX-A1	900	795	490	600	600	854	420	27.20	26.80	30.0

RUA-06-AS5-CAX-A1	370	265	490	600	495	324	420	17.30	17.00	30.0
RUA-09-AS5-CAX-A1	500	395	490	600	495	454	420	20.60	20.30	30.0
RUA-12-AS5-CAX-A1	635	530	490	600	495	589	420	24.00	23.70	30.0
RUA-15-AS5-CAX-A1	770	665	490	600	495	724	420	27.40	27.10	30.0
RUA-18-AS5-CAX-A1	900	795	490	600	495	854	420	30.70	30.30	30.0



TRITON

Triton Pardubice, spol. s r. o.
 Starý Mateřov 130, 530 02 Pardubice - Czech Republic
 tel. +420 467 401 111, fax: +420 467 401 130
 sale@triton.cz, www.triton.cz

Triton Chemnitz GmbH
 Wolgograder Alee 24, 09123 Chemnitz - Germany
 Tel. +49 371 520 2271, Fax +49 371 520 2272
 info@triton-racks.de, www.triton-racks.de